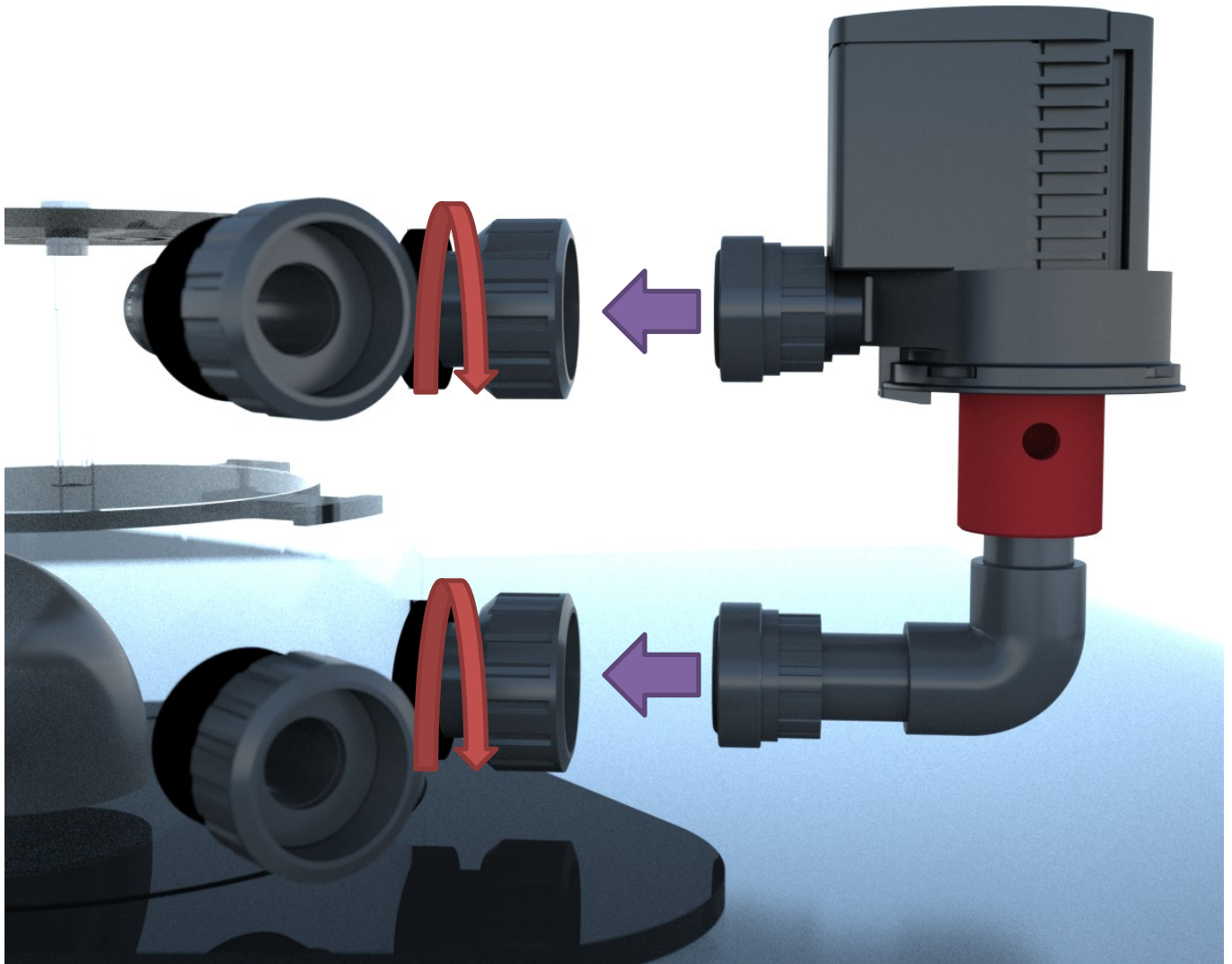


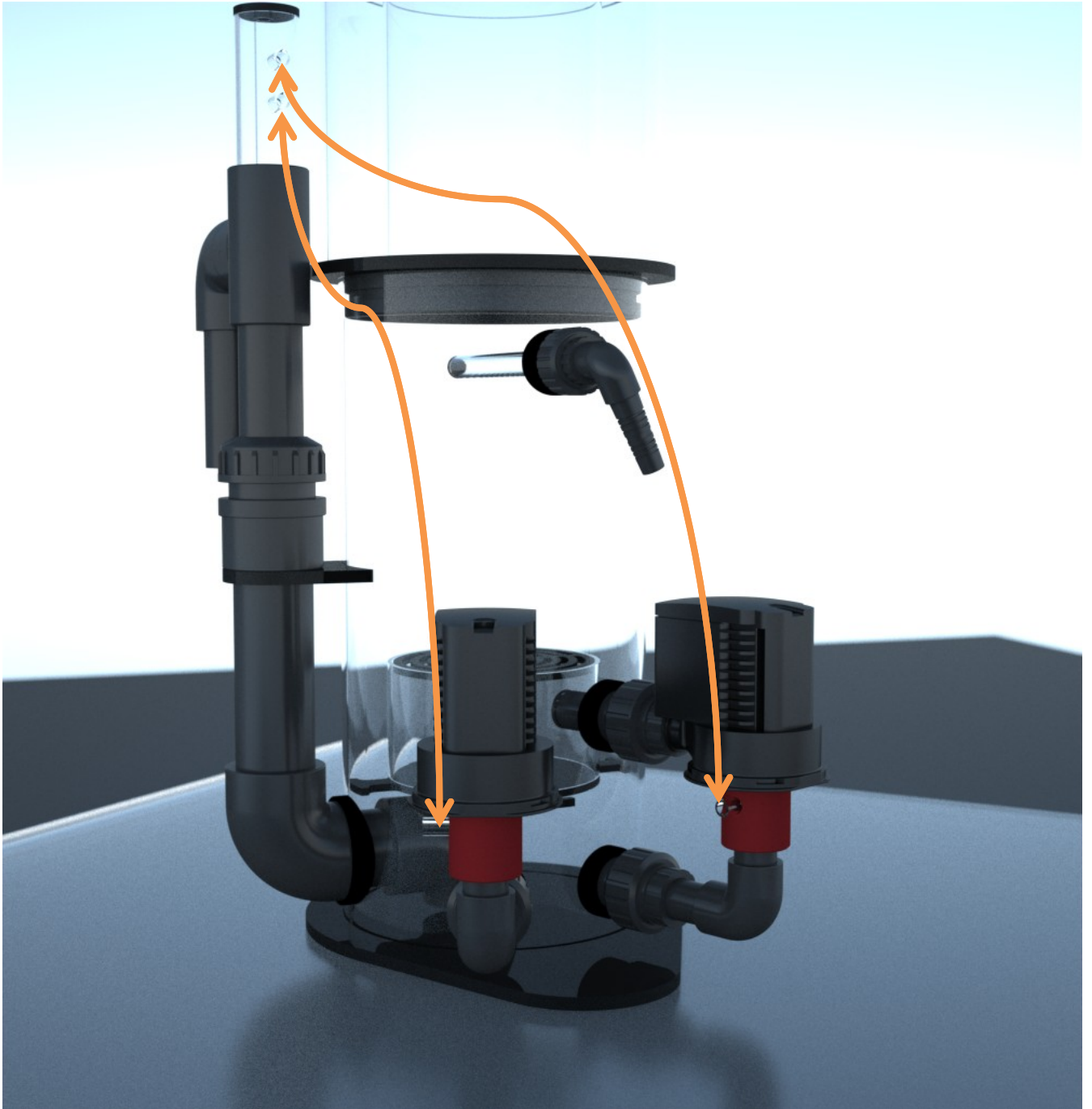
OCEANLIFE

EXTREME SKIMMER

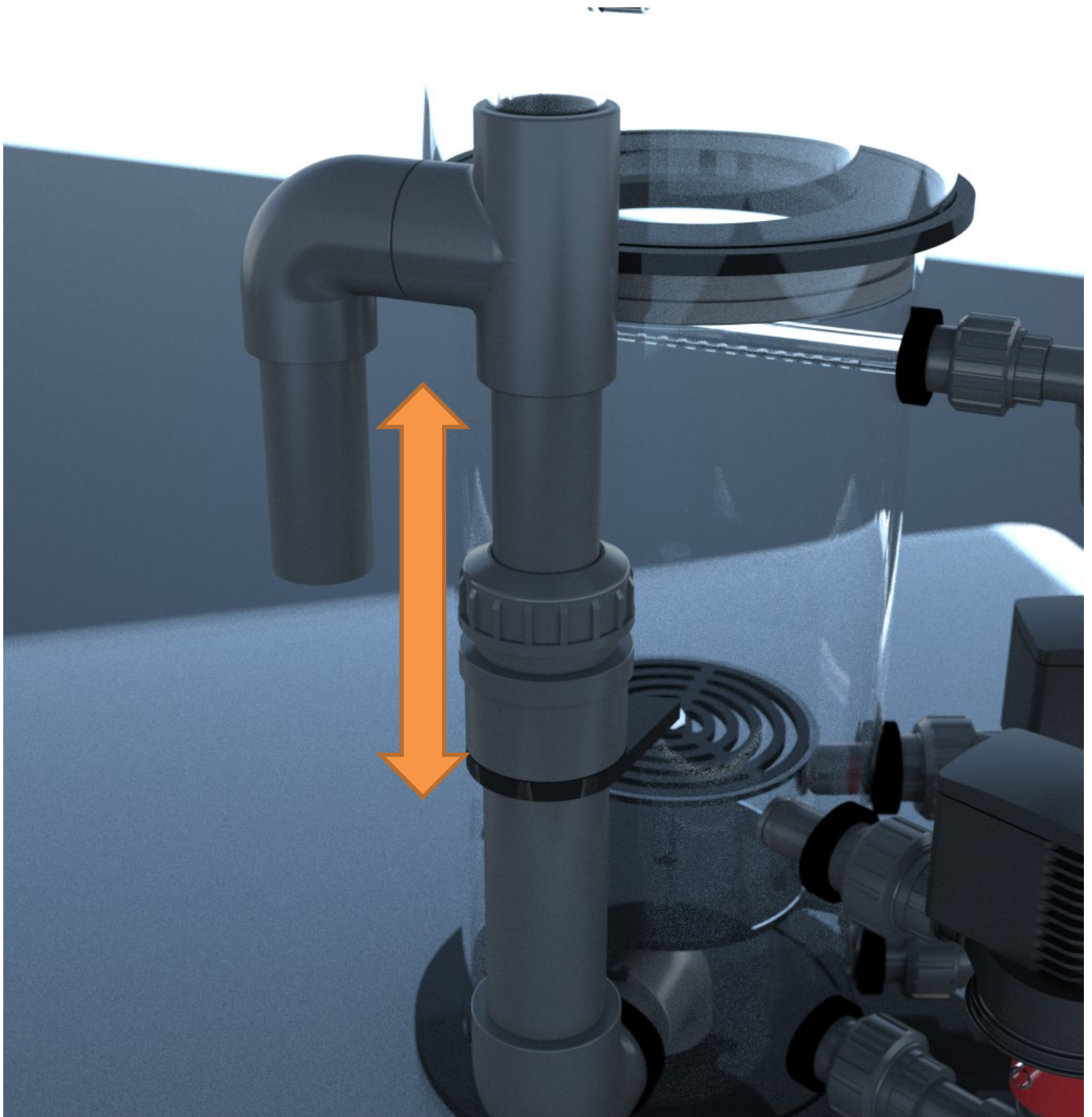
with Acrysteel pipes
Mounting Instructions



1- Connect the pump(s)



2- Connect the air silicone tubes



- 3- Regulate the water outlet to the minimum
- 4- Place the skimmer inside the sump
- 5- Set the water level to completely submerge the pump
- 6- Connect the load pump to the skimmer with a plastic tube
- 7- Turn on the load pump and then the skimming pump(s).
- 8- Wait that the skimmer starts to produce the first foam and slowly adjust the water outlet to obtain the desired skimming result.