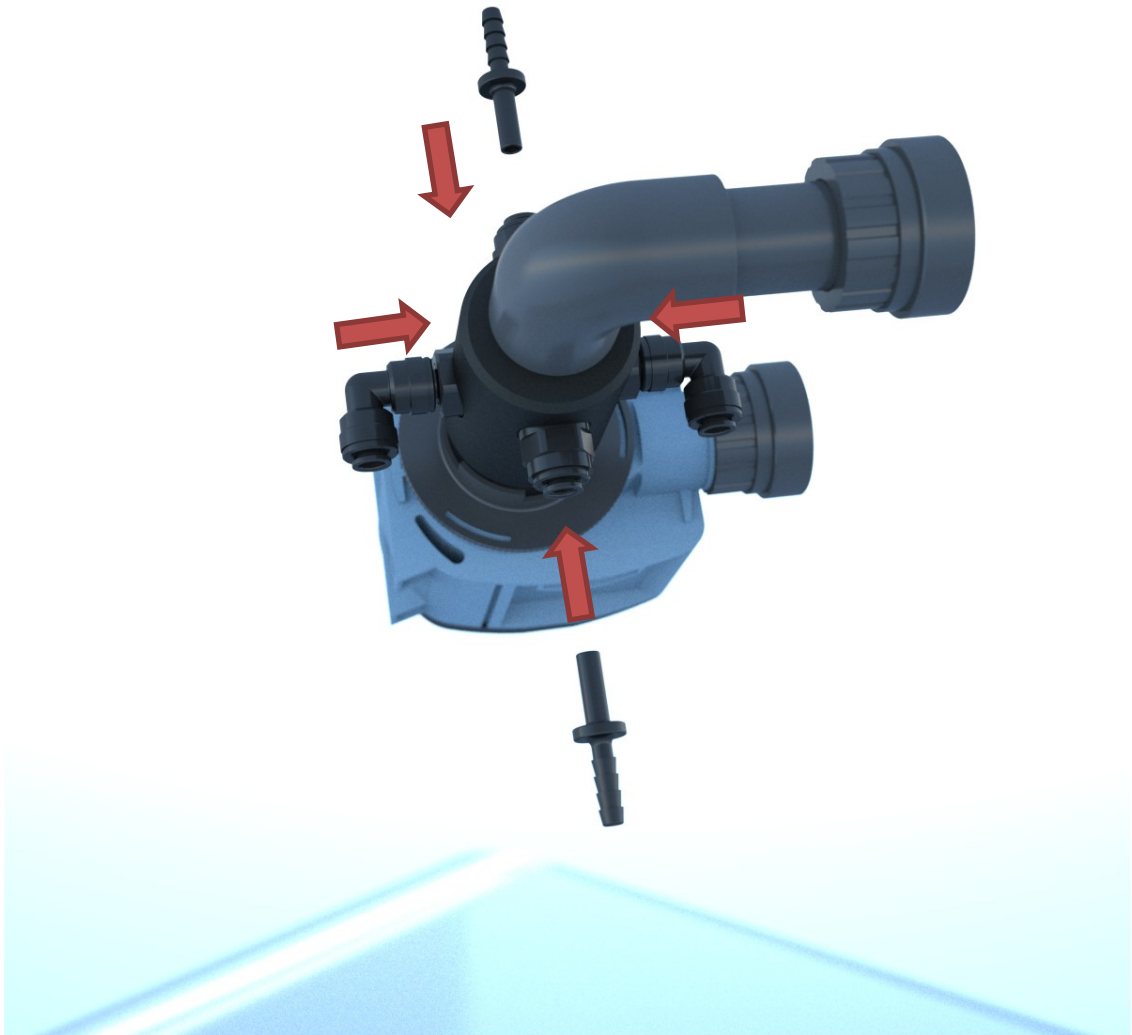


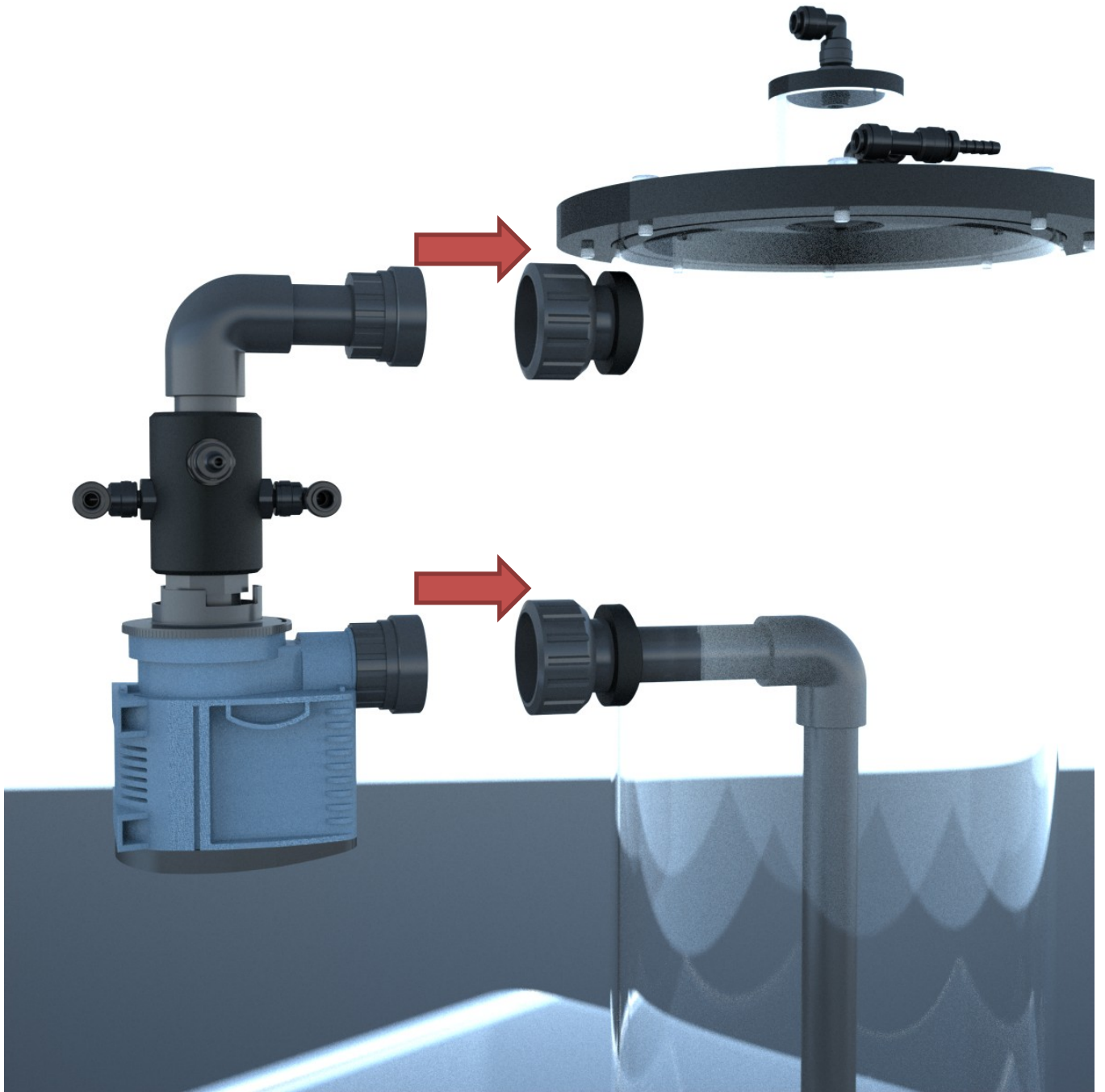
OCEANLIFE

LIFE BUILDER

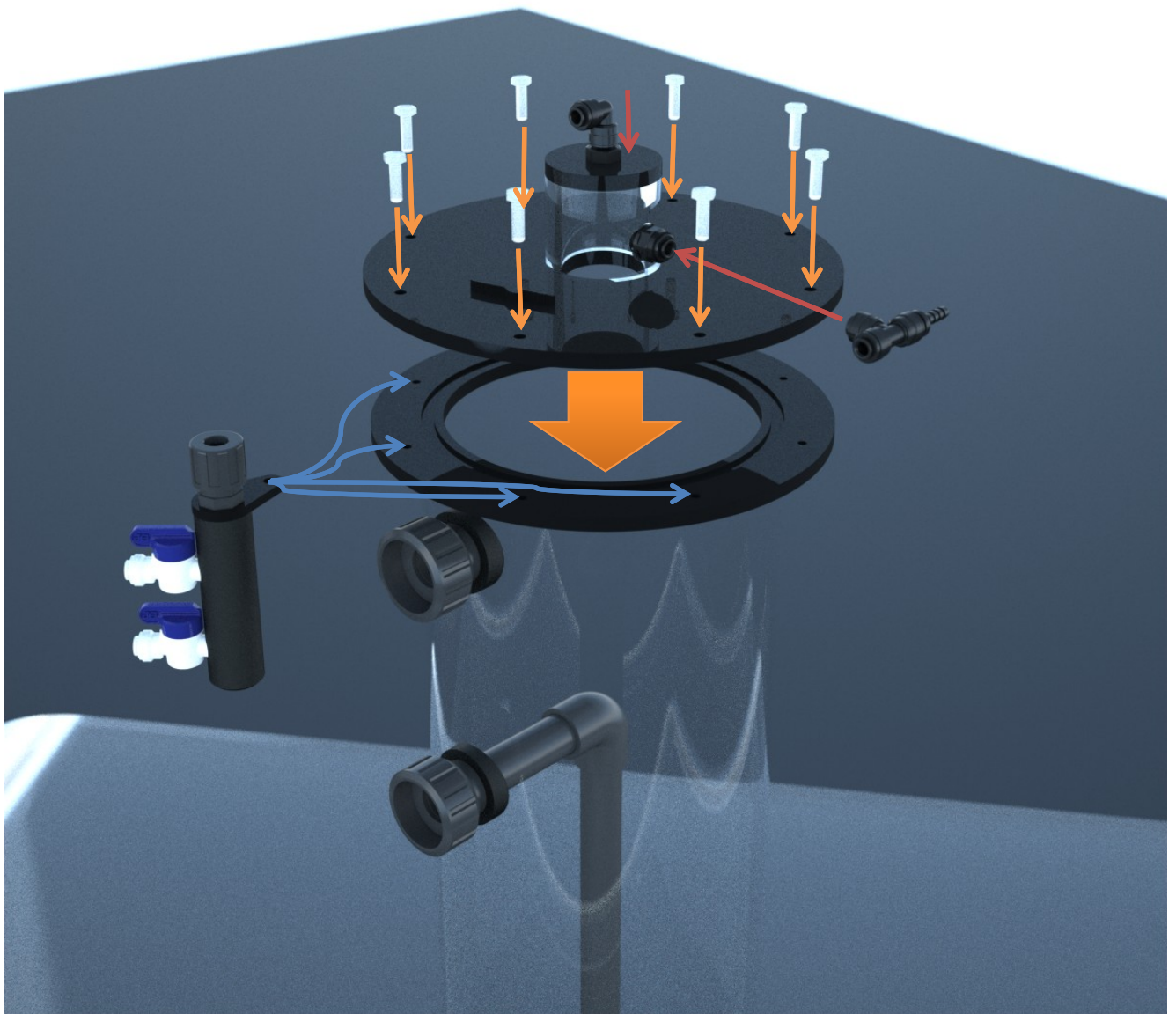
with Acrysteel pipes
Mounting Instructions



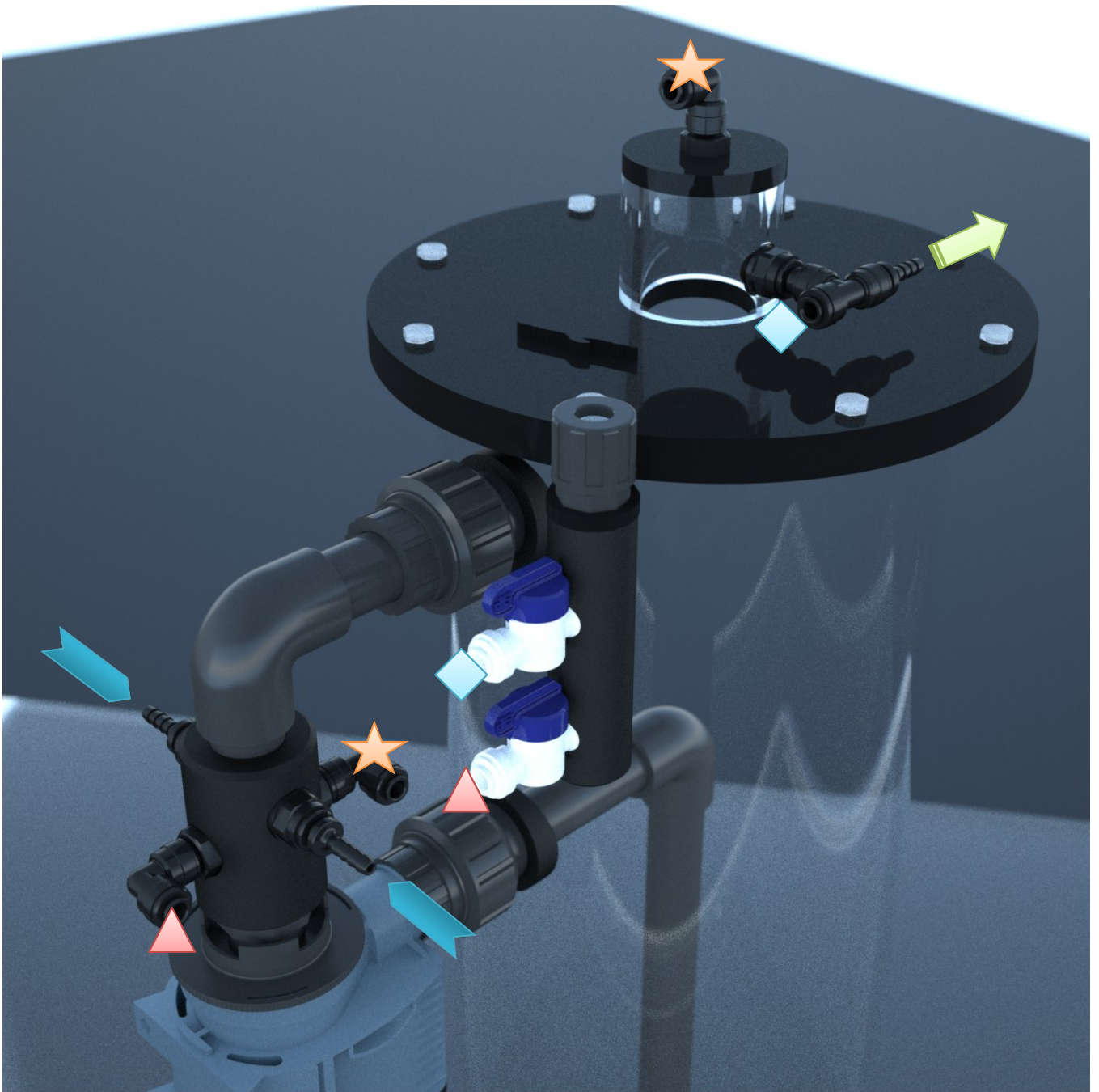
1- Connect the 4 JG fittings to the pump as shown in the picture








2- Connect the pump

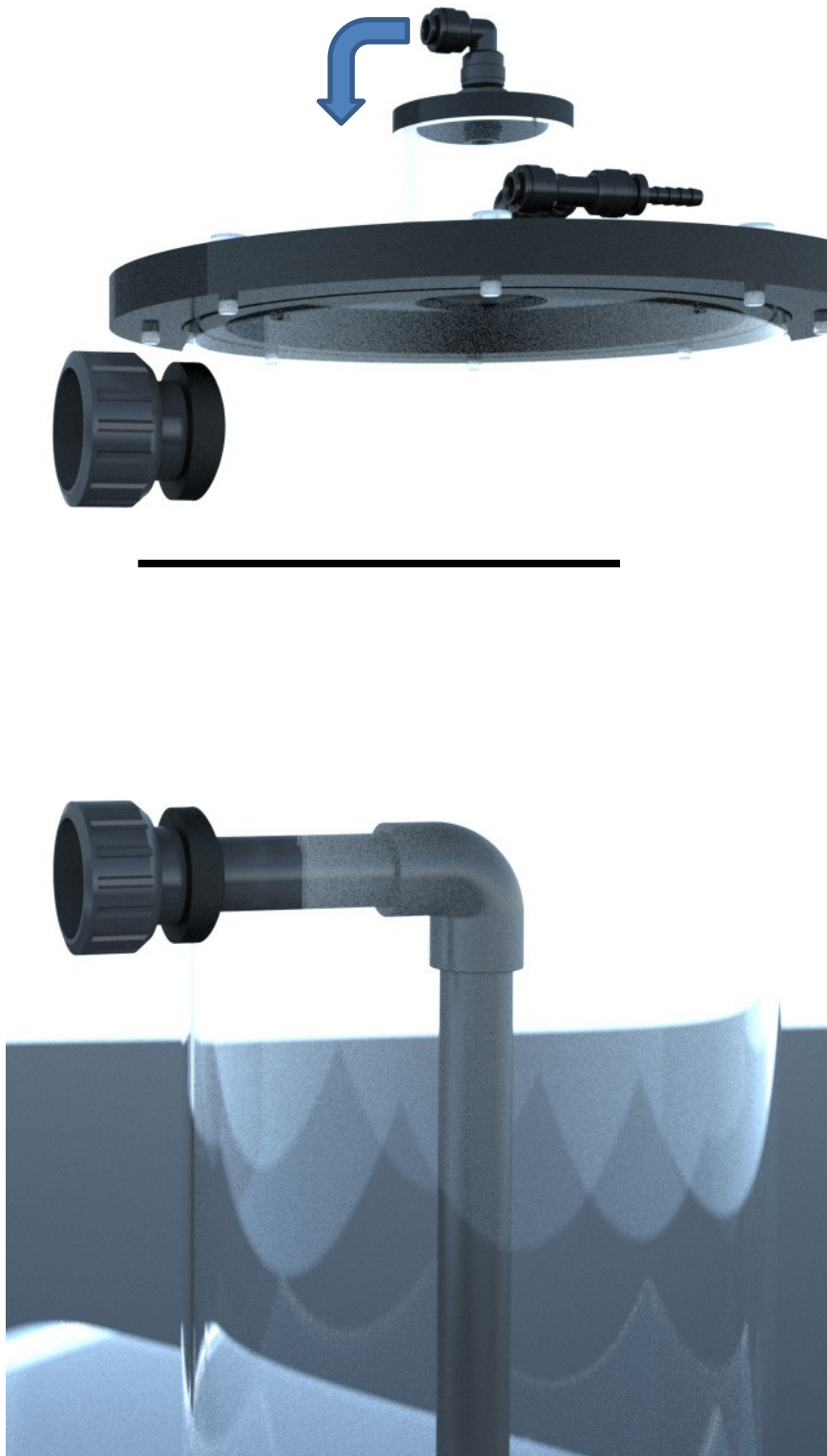


- 3- Connect the 2 JG fittings to the top cover as shown in the picture
- 4- Place the top cover on the reactor body, interposing the big O-Ring inside the channel
- 5- Use the big screw to connect the External Probe holder to the Reactor body. Use the nut to fix the Probe holder.
- 6- Tighten the screws. Do not force them.



7- Connect the same shapes through the black pipe. Cut the pipe to the right length. The pipe must be perpendicular to the holes.

-  Water and CO2 inlet
-  CO2 Recirculation
-  EPP inlet
-  EPP outlet
-  Water outlet



- 8- Fill the Reactor with the calcareous material up to the black line
- 9- Fully fill the Reactor with aquarium water till it exit from the upper JG fitting (let it open to facilitate the operation then close it).
- 10- Gradually open the CO2 to have 1 or 2 bubbles per second.
- 11- Set the pH meter to reach the right pH level (6 – 6,5 depending to the material).
- 12- Set the water exit to maintain the Calcium and KH levels.